



HORSTMANN



CHANNELPLUS H47XL SERIES 2 Electronic Programmer

A 4 channel version of the new ChannelPlus programmer for larger dwellings, featuring zone control of Hot Water and Heating as well as many other zoning applications including Underfloor Heating.

Back-lit LCD display

Pre-set clock

Automatic Winter/Summer time change

Simplified menu driven programming

Full 7 day operation over 4 independent channels

5 year warranty



**Horstmann.
We're in control.**

The Energy Saving Trust recommends this product only when installed according to Government Good Practice Guide 302.

Horstmann. We're in control.



DISPLAY SHOWING ZONES 1,2,3 and 4



DISPLAY SHOWING CHANNELS 1,2,3 and 4

SPECIFICATION

CONTACT RATING

3 (1) Amps 230V AC

CONTACT TYPE

Micro-disconnection changeover

SUPPLY

230V 50Hz

OPERATING TEMPERATURE RANGE

0°C to +40°C

BATTERY TYPE

Lithium

CASE MATERIAL

Thermoplastic, flame retardant

DIMENSIONS

101mm x 163mm x 37mm

DISPLAY

Back-lit liquid crystal

CLOCK

24 hour or 12 hour AM/PM

DISPLAYED TIME ADJUSTMENTS

1 minute steps

SWITCHED TIME ADJUSTMENTS

10 minute steps

PROGRAMME OPTIONS

ON, OFF, All Day, Auto, Holiday

OPERATING PERIODS PER DAY

Three for each channel

OVERRIDE (EACH CHANNEL)

1 or 2 hour boost, 1 or 2 hour extension

to ON period. Instant advance

MOUNTING

9 pin wall fixing plate

DOUBLE INSULATED

Yes

ENCLOSURE PROTECTION

IP30

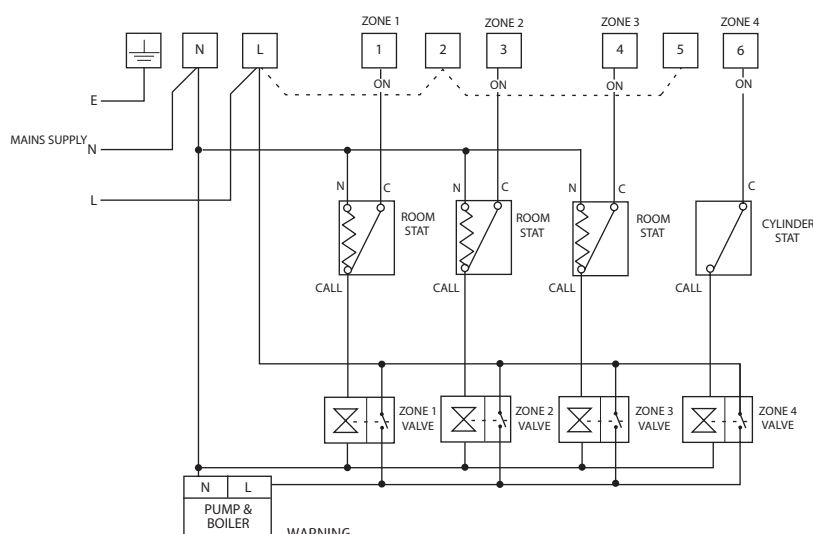
CHANNELPLUS H47XL

Unique user friendly programmer designed for domestic use, providing advanced, easily programmed features.

Latest Building Regulations Domestic Heating Compliance Guide requires heating zones that exceed 150 sq m to have independent time and temperature control as well as separate hot water zones. These currently apply to new build domestic dwellings.

The display can be configured by use of the menu button to show different headings for each channel.

4 Zone Heating System with H47XL



WARNING

This diagram is schematic and should be used as a guide only. Please ensure that all installations comply with the current IEE regulations. When used to control mains voltage, (as diagram shows), Terminals L, 2 and 5 must be electrically linked by of a suitable piece of sleeved conductor. If the ChannelPlus H47XL is being used to control low voltage systems then these links MUST NOT be fitted.



HORSTMANN

Horstmann Controls Ltd, a division of Horstmann Group Ltd, Roman Farm Road, Bristol BS4 1UP.
Tel 0117 978 8700 Fax 0117 978 8701 E-mail sales@horstmann.co.uk www.horstmann.co.uk

©April 2006 Horstmann Controls Limited. All rights reserved. The company reserves the right to alter product specifications without notice.