

Addendum

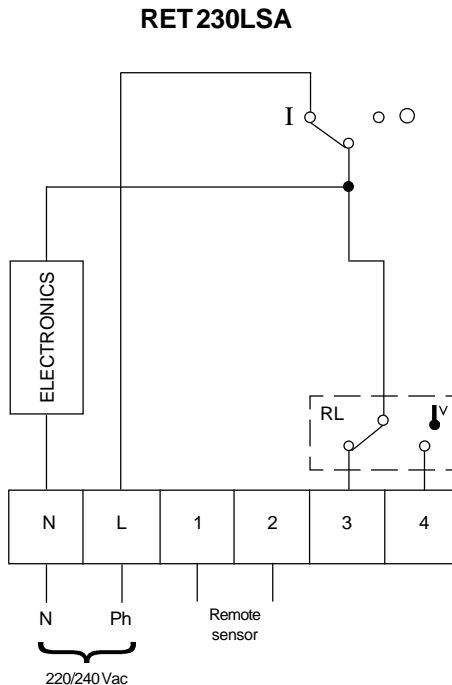
RET230LSA

RET230LSA is a remote sensing version of the RET230LS room thermostat.

All details with regards to technical specifications and general fixing instructions are contained in the main instruction sheets packed with the products.

MOUNTING THE SENSOR

The remote sensor is supplied with a two metre lead which can be cut down to the required length at the time of installation. No part of the lead, or its connections, are to be accessible to the user after installation.



Danfoss Randall can accept no responsibility for possible errors in catalogues, brochures and other printed material, and reserves the right to alter its products without notice. This also applies to products already on order provided that such alterations can be made without subsequent changes being necessary in specifications already agreed.

Danfoss Randall Limited

Ampthill Road
Bedford, MK42 9ER
Tel: (01234) 364621 Fax: (01234) 219705
Email: danfossrandall@danfoss.com
Website: www.danfoss-randall.co.uk

