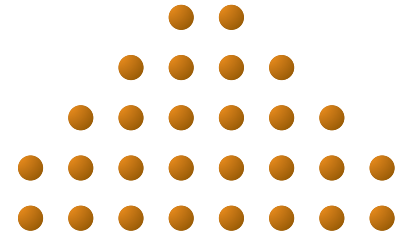


OJ Microline®

MTU2
3
 YEAR warranty

THERMOSTATS FOR COMFORT HEATING

Thermostat for Wall Mounting

Recommended for control of underfloor heating and electrical heating.

- On/off control up to 3,600, 16A.
- With graduated scale, making it easy to set the required floor or room temperature.
- Built-in setback mode for automatic comfort and setback temperature via remote timer.
- Electronic thermostat for accurate temperature regulation ensuring a high comfort of the floor surface or the room temperature.
- Surface wall mounting.

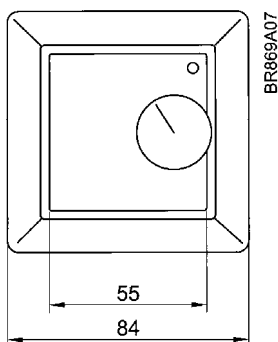
PRODUCT PROGRAMME

TYPE	PRODUCT	
230V	MTU2-1991	Thermostat with setback mode 5°C incl. floor sensor 3 m
	MTU2-1999	Remote room sensor can be mounted Thermostat with setback mode 5°C with internal room sensor

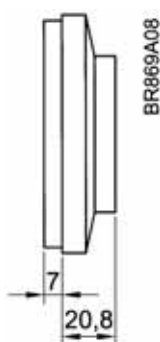
ACCESSORIES

ETF-144/99A	Floor sensor, 3 m
ETF-944/99-H	Remote room sensor
MTC-AH	Protective cover

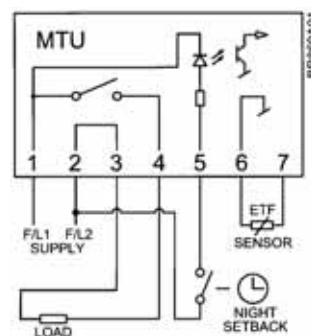
- **MTU2-1999: A floor sensor or a remote air sensor can be applied instead of the built-in sensor by removing a jumper placed below the front cover.**



Dimensions (mm)



Dimensions (mm)



Connections MTU

Thermostat control:

Type MTU2 is an electronic on/off thermostat with control of temperature by means of an NTC sensor. The heat output is switched on and off with a difference of only 0.4°C. Red LED indicates when heating is on.

Temperature setback:

Type MTU2 with setback mode 5°C which is activated with a day/week timer, e.g. MM-7595. The timer is programmed with the required comfort and setback periods.

Adjustment of the thermostat:

Temperature range +5/+45°C for easy setting of required temperature.

TECHNICAL DATA

Supply voltage	230V ±10% 50/60 Hz	
Power consumption	6VA	
OUTPUT RELAY	MTU-1991HN:	230V, 16A, 3,600W
	MTU-1999HN:	230V, 16A, 3,600W
ON/OFF differential	0.4°C	
Ambient operating temp.	0/+50°C	
Temperature range	+5/+45°C	
Temperature setback	Fixed 5°C	
Error circuit fuse at	-20°C	
Housing	IP20	
Dimensions (H/W/D)	84/84/28 mm	
Approvals	CE	



OJ Thermostat program includes

- Thermostats for flush mounting
- Thermostats for wall mounting
- Thermostats for DIN-rail mounting
- Thermostats for snow melting and frost protection
- Triac thermostat and controllers from 1-44 kW
- Thermostats adjusted to the individual market's needs for design, approvals and standards for electrical material